

0204 • 1/2" ÷ 4"

0227 • 1/2" ÷ 2"



## PRESSURE REDUCING VALVES WITH DIAPHRAGM PN 40 WITH COMPENSATION CHAMBER AND STAINLESS STEEL SEAT

CONNECTIONS:

FEMALE - FEMALE  
DISMANTLING FITTINGS MALE

0204 • 1/2" ÷ 2"



0204 • 2" 1/2 ÷ 4"



0227

### DESCRIPTION

The pressure reducing valve PN 40 with diaphragm and compensation chamber is an automatic valve that reduces and stabilizes the pressure of a fluid in a water distribution conduit according to a preset value. The use of this hydraulic device is required whenever the maximum possible pressure reaches or exceeds the maximum allowable pressure of the system at any point in the water supply line. The pressure reducing valve is also required necessary when the pipeline is connected to equipment and devices operating at pressure levels lower than the pressure of water supply. The enhanced mechanical strength of the shell and its internal components makes this valve particularly suitable for sanitary installations for water distribution outside buildings (EN 805), where the water pressure in the water mains can reach values as high as 40 bar. Further, the compensated seat cancels the influence that upstream pressure variations may have on downstream regulated pressure. The flexible diaphragm in EPDM rubber reinforced with high mechanical resistance polyester canvas and in conjunction with the anti stick-slip O-ring made of Perox EPDM rubber, allow a precise and long-lasting pressure regulation. The internal finish of the valve body and the absence of sliding parts allow to regulate the flow, thus containing vibrations and pressure drops. The diaphragm-type pressure reducing valve with compensation chamber PN 40 is used in air conditioning plants, sanitary installations for water supply, irrigation systems, compressed air (not oil mist) distribution systems, sanitary installations for water supply inside buildings, according to EN 806-2, and for fire suppression piping. (It should nevertheless be borne in mind that local government standards for fire protection must always be observed.) This product adheres to the standards set forth by the European health authorities for the transport of alimentary fluids and potable water.

ATTENTION: THE PRESSURE GAUGE CONNECTABLE TO THE PRESSURE REDUCING VALVE INDICATES THE ALREADY-REDUCED PRESSURE (Ps) OF THE OUTLET LIQUID FLOW.

### TECHNICAL FEATURES

<b>Pressure:</b>	
maximum allowable pressure (PN)	40 bar
outlet settings (Ps)	da 1 a 7 bar
ps value set during testing	3 bar
variation of the Ps value set, as the inlet pressure varies	± 5 %
<b>Temperature:</b>	
maximum temperature (TS)	0°C (excluding ice) ÷ 80°C
<b>Compatible fluids:</b>	
water	
glycolate solutions	glycol 50%
compressed air	
<b>Threading:</b>	
pipeline connection	threads according to ISO 228/1
gauge connection	threads according to EN 10226 – Rp1/4"
<b>Tests according to:</b>	EN 1567
<b>Certifications:</b>	ACS

### DESIGN

Body and screw-down dimensions 1/2" ÷ 2"	brass
dimensions 2" 1/2 ÷ 4"	bronze
Other components dimensions 1/2" ÷ 4"	brass
dimensions 2" 1/2 ÷ 4"	bronze
Diaphragm	EPDM rubber reinforced with polyester canvas
Gaskets for static seals	compressed fiber
Seat gasket	NBR rubber
Gaskets for dynamic seals	peroxide-cured EPDM rubber
Spring	galvanized steel
Seat	stainless steel

### PRODUCT CODES

0204.015	female/female	1/2"	0227.015	dismantling fittings male	1/2"
0204.020	female/female	3/4"	0227.020	dismantling fittings male	3/4"
0204.025	female/female	1"	0227.025	dismantling fittings male	1"
0204.033	female/female	1" 1/4	0227.033	dismantling fittings male	1" 1/4
0204.042	female/female	1" 1/2	0227.042	dismantling fittings male	1" 1/2
0204.050	female/female	2"	0227.050	dismantling fittings male	2"
0204.066	female/female	2" 1/2			
0204.080	female/female	3"			
0204.100	female/female	4"			



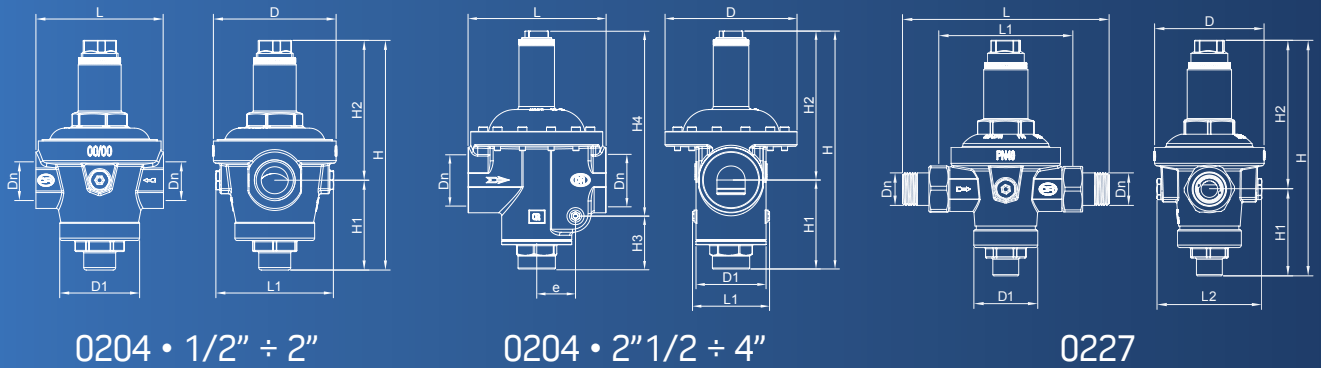
OFFICINE RIGAMONTI S.p.A.  
via Circonvallazione, 9  
13018 Valduggia (VC), ITALY  
TEL. +39 0163.48165  
FAX +39 0163.47254  
www.officinerigamonti.it  
export@officinerigamonti.it

0204 • 1/2" ÷ 4"

0227 • 1/2" ÷ 2"

PRESSURE REDUCING VALVES WITH DIAPHRAGM PN 40  
WITH COMPENSATION CHAMBER AND STAINLESS STEEL SEAT

CONNECTIONS: FEMALE - FEMALE  
DISMANTLING FITTINGS MALE



0204 • 1/2" ÷ 2"

0204 • 2" 1/2 ÷ 4"

0227

FEATURES

Dn	D [mm]	D1 [mm]	L [mm]	L1 [mm]	H [mm]	H1 [mm]	H2 [mm]	H3 [mm]	H4 [mm]	e [mm]
1/2"	Ø73	Ø44	76	67	153	65	88	/	/	/
3/4"	Ø89	Ø52	91	85	193	71	122	/	/	/
1"	Ø100	Ø65	104	95	199	79	120	/	/	/
1" 1/4	Ø123	Ø72	137	92	240	82	158	66	174	/
1" 1/2	Ø153	Ø80	170	109	266	93	173	59	207	/
2"	Ø168	Ø90	184	119	285	92	193	54	231	/
2" 1/2	Ø179	Ø93	206	104	338	122	216	77	261	43
3"	Ø191	Ø103	203	130	383	141	242	91	292	30
4"	Ø262	Ø139	274	156	480	174	306	103	377	77

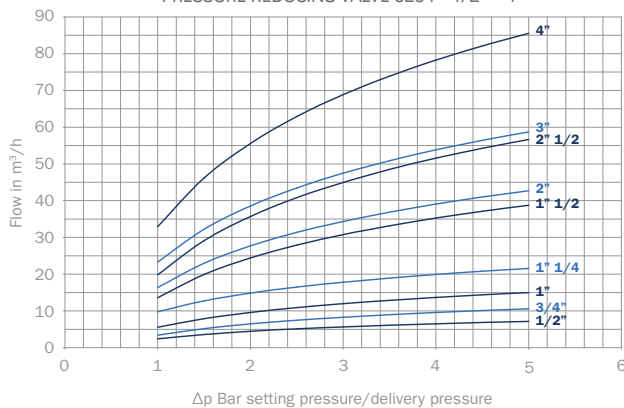
Dn	D [mm]	D1 [mm]	L [mm]	L1 [mm]	L2 [mm]	H [mm]	H1 [mm]	H2 [mm]
1/2"	Ø73	Ø44	147	92	67	153	65	88
3/4"	Ø89	Ø52	170	109	85	193	71	122
1"	Ø100	Ø65	196	126	95	199	79	120
1" 1/4	Ø123	Ø72	239	159	92	241	83	158
1" 1/2	Ø153	Ø80	279	198	109	266	93	173
2"	Ø168	Ø90	317	216	119	285	92	193

0204

0227

0204

PRESSURE REDUCING VALVE 0204 • 1/2" ÷ 4"



0227

PRESSURE REDUCING VALVE 0227 • 1/2" ÷ 2"

