

PRESET SAFETY VALVES WITH DIAPHRAGM AND HANDWHEEL ACTIVATION
LIGHT MODEL CE-0425 IN COMPLIANCE WITH DIRECTIVE PED 2014/68/EU

CONNECTIONS:

MALE - FEMALE



DESCRIPTION

The **LIGHT** model safety valve with handwheel activation is an automatic safety valve designed to open in the event the internal pressure of the system reaches a predetermined maximum pressure (Preset Nominal Pressure: Pnr). The security valve resets automatically when the internal pressure of the system returns below the predetermined maximum pressure. All the moving parts of this safety valve, including the regulating spring, are isolated from heat-transfer fluids by an industrial rubber diaphragm. The handwheel enables the valve to open even at pressures lower than the calibration value, thus allowing the verification of its proper operation at any time. The **LIGHT** model safety valve with handwheel activation satisfies the essential safety requirements stipulated in the EU Pressure Equipment Directive (PED) 2014/68/EU.

TECHNICAL FEATURES

Pressure:	
maximum allowable pressure (PN)	10 bar
preset nominal pressure (Pnr)	1,5 - 2 - 2,5 - 3 - 3,5 - 4 - 5 - 6 - 7 - 8 bar (factory set and sealed)
minimum accumulation pressure (Pc)	Pnr -5%
overpressure (Po)	Pnr +10%
reset value (Pf)	Pnr -20%
Temperature:	
maximum temperature	115°C (water or air - Class 2 Liquids)
Threading:	
pipeline connection	threads according to ISO 228/1
Compatible fluids:	
heat transfer fluids	in compliance with Italian national standards UNI 8065 § 6
glycolate solutions	glycol 50%
Requirements and tests as per:	EN 1489

PED TECHNICAL REQUIREMENTS

Maximum allowable temperature (TS)	115°C (water or air - Class 2 Liquids)
Maximum allowable pressure (PS)	10 bar
Conformity assessment procedures	modules B and D
PED risk category	IV (CE 0425)
Flow coefficient	K (water) = 0,3083 K (air) = 0,4008 "K" performances in according to ISO 4126-7:2016

DESIGN

Body	brass CW617N
Head valve	polyamide reinforced with glass fiber
Handwheel	polyamide
Diaphragm	EPDM rubber (peroxide cured)
Spring	from 1,5 to 6 bar steel EN 10270 - 1 SM from 7 to 8 bar steel EN 10270 - 3 NS

PRODUCT CODES

0485.115	setting 1.5 bar	1/2"	m/f	0485.215	setting 1.5 bar	3/4"	m/f
0485.125	setting 2.5 bar	1/2"	m/f	0485.220	setting 2 bar	3/4"	m/f
0485.130	setting 3 bar	1/2"	m/f	0485.225	setting 2.5 bar	3/4"	m/f
0485.135	setting 3.5 bar	1/2"	m/f	0485.230	setting 3 bar	3/4"	m/f
0485.140	setting 4 bar	1/2"	m/f	0485.235	setting 3.5 bar	3/4"	m/f
0485.150	setting 5 bar	1/2"	m/f	0485.240	setting 4 bar	3/4"	m/f
0485.160	setting 6 bar	1/2"	m/f	0485.250	setting 5 bar	3/4"	m/f
0485.170	setting 7 bar	1/2"	m/f	0485.260	setting 6 bar	3/4"	m/f
0485.180	setting 8 bar	1/2"	m/f	0485.270	setting 7 bar	3/4"	m/f
				0485.280	setting 8 bar	3/4"	m/f

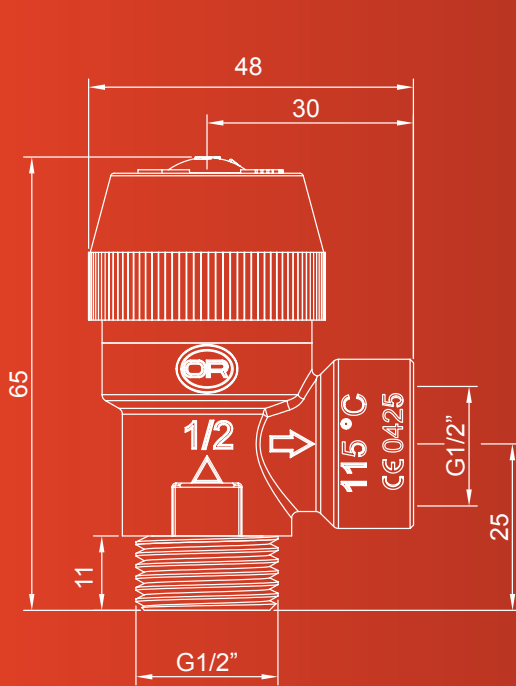


OFFICINE RIGAMONTI S.p.A.
 via Circonvallazione, 9
 13018 Valduggia (VC), ITALY
 TEL. +39 0163.48165
 FAX +39 0163.47254
 www.officinerigamonti.it
 export@officinerigamonti.it

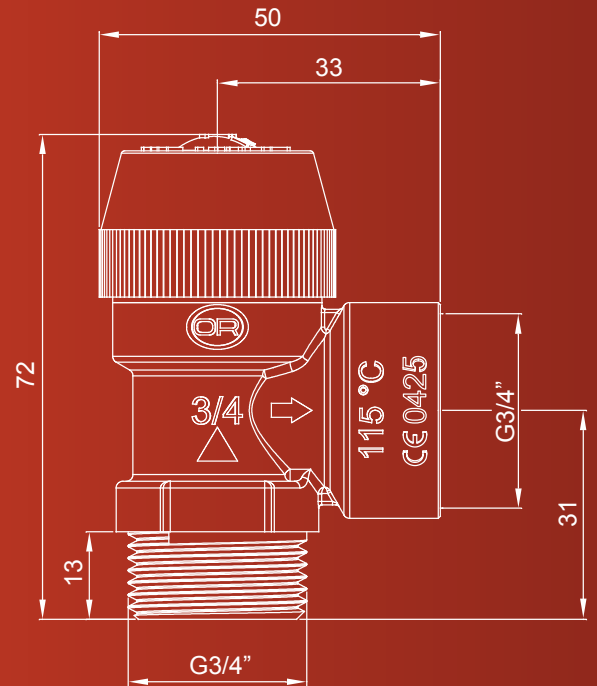
0485 • 1/2" - 3/4"

PRESET SAFETY VALVES WITH DIAPHRAGM AND HANDWHEEL ACTIVATION
LIGHT MODEL CE-0425 IN COMPLIANCE WITH DIRECTIVE PED 2014/68/EU

CONNECTIONS: MALE - FEMALE



0485.1



0485.2

SETTINGS

Discharging flow

P set	H ₂ O (L/h)	Gas (kg/h)
1.5	2874	132
2	3321	160
2.5	3715	187
3	4072	215
3.5	4400	242
4	4705	269
5	5262	324
6	5767	379
7	6231	434
8	6662	489