

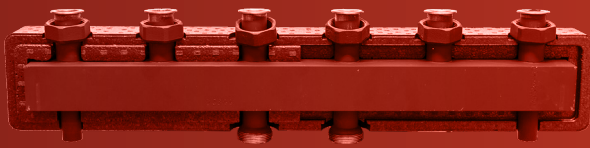
2259.0

CONNECTIONS: TOP SIDE NUT WITH FLAT SEAT
BOTTOM SIDE MALE

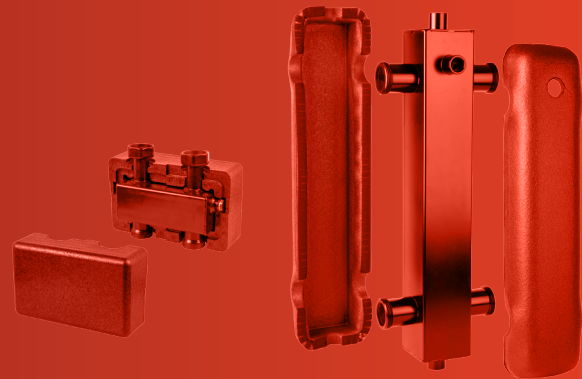
2259.1

CONNECTIONS: *VERTICAL* - MALE
HORIZONTAL - TOP SIDE NUT WITH FLAT SEAT
BOTTOM SIDE MALE

HYDRAULIC SEPARATORS



2259.0



2259.1

2259.0

DESCRIPTION

The manifold for pump circulation units is a combined manifold consisting of a single square pipe made of steel and, depending on the versions, it can be provided with or without the hydraulic separator. Supply and return line are separated by a sinusoidal partition and the hydraulic separator, where provided, is positioned over the entire length of the manifold's bottom side. The manifold includes threaded male connections on the primary circuit side and threaded sleeve connections on the secondary circuit side. The provided manifold is equipped with wall fixing brackets.

TECHNICAL FEATURES

Pressure:	
maximum working pressure	4 bar
Temperature:	
working temperature	0° (excluding ice) ÷ 110°C
Compatible fluids:	
water	
glycol solutions	max 30% glycol
Capacity:	
rate	3,0 m ³ /h
power at Δt 20°C	70 kW
Threadings:	
top side with flat seat and ring nut	1"1/2 female (ISO 228-1)
bottom side with flat seat	1"1/2 male (ISO 228-1)
centre line connections supply-return	125 mm

DESIGN

Body	varnished steel
Insulation	EPP

PRODUCT CODES

2259.012	simple 2 oftakes
2259.013	simple 3 oftakes
2259.014	simple 4 oftakes
2259.015	simple 5 oftakes
2259.016	simple 6 oftakes
2259.022	with hydraulic separator 2 oftakes
2259.023	with hydraulic separator 3 oftakes
2259.024	with hydraulic separator 4 oftakes

2259.1

DESCRIPTION

The main function of hydraulic separators in heating and cooling systems is to hydraulically separate the circuit of the boiler or refrigerator from the secondary circuit. The hydraulic separators are dimensioned to allow laminar and constant flow conditions at full load, and to prevent the involuntary contamination of supply and return flows at low pressure.

TECHNICAL FEATURES

Pressure:	
maximum working pressure	4 bar
Temperature:	
working temperature	0° (excluding ice) ÷ 110°C
Compatible fluids:	
water	
glycol solutions	max 30% glycol
Capacity:	
rate	3,0 m ³ /h
Threadings:	
Vertical	
with flat seat	1"1/2 male (ISO 228-1)
connection for air release and water discharge	EN 10226 - Rp1/2"
Horizontal	
top side with flat seat and ring nut	1"1/2 female (ISO 228-1)
bottom side with flat seat	1"1/2 male (ISO 228-1)
connection for air release and water discharge	EN 10226 - Rp1/2"
centre line connections supply-return	125 mm

DESIGN

Body	varnished steel
Insulation	EPP

PRODUCT CODES

2259.103	vertical
2259.113	horizontal
2259.211	accessory mounting brackets for horizontal hydraulic separator



OFFICINE RIGAMONTI S.p.A.
via Circonvallazione, 9
13018 Valduggia (VC), ITALY
TEL. +39 0163.48165
FAX +39 0163.47254
www.officinerigamonti.it
export@officinerigamonti.it

2259.0

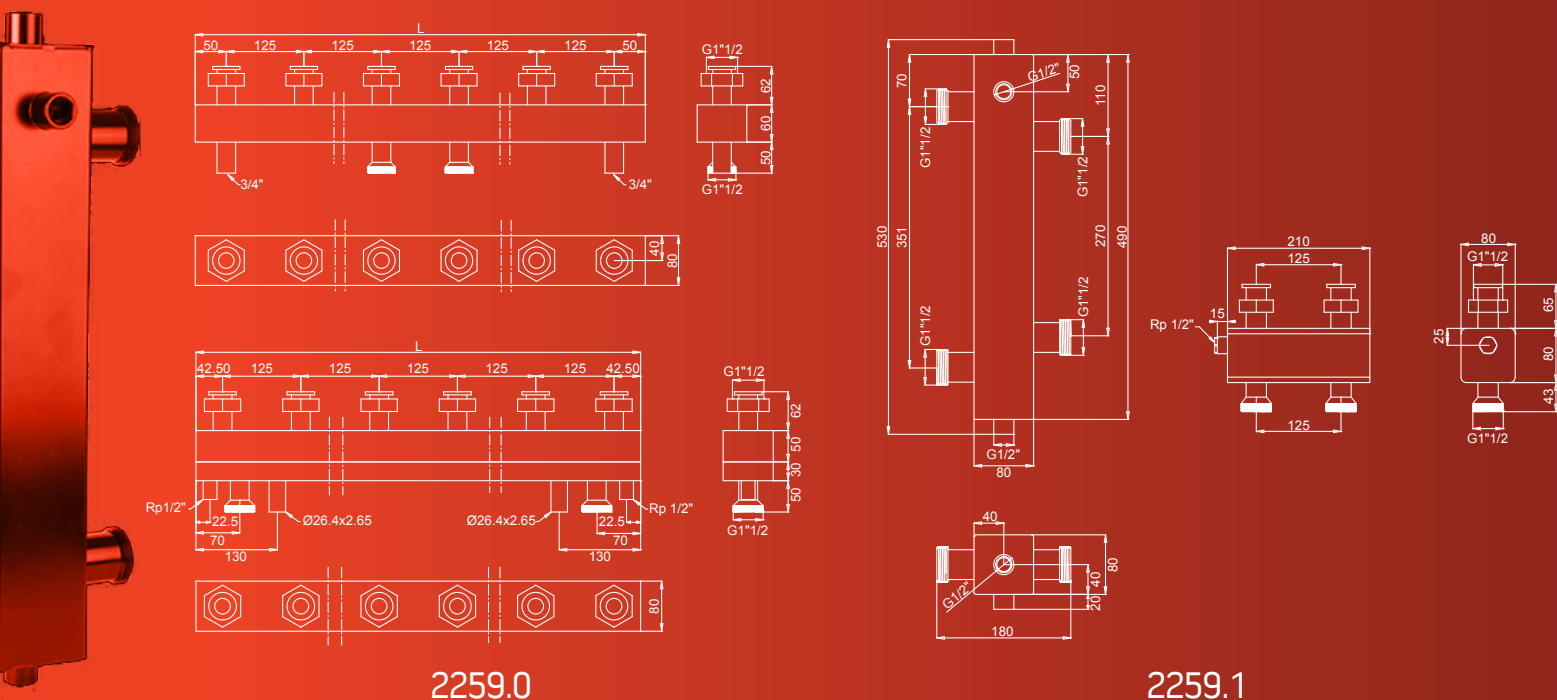
MANIFOLDS

CONNECTIONS: TOP SIDE NUT WITH FLAT SEAT
BOTTOM SIDE MALE

2259.1

HYDRAULIC SEPARATORS

CONNECTIONS: VERTICAL - MALE
HORIZONTAL - TOP SIDE NUT WITH FLAT SEAT
BOTTOM SIDE MALE



2259.0

2259.1

FEATURES

Code	Specifications	Offtakes	L [mm]	L with ins. [mm]
2259.012	simple	2	475	545
2259.013	simple	3	725	795
2259.014	simple	4	975	1045
2259.015	simple	5	1225	1305
2259.016	simple	6	1475	1555
2259.022	with hydraulic separator	2	400	545
2259.023	with hydraulic separator	3	710	785
2259.024	with hydraulic separator	4	960	1050
2259.103	horizontal	-	210	280
2259.113	vertical	-	180	180

LEGEND

- 1 - Manifold
- 2 - Hydraulic separator
- 3 - Direct pump circulation units (cod. 2250)
- 4 - Motorized pump circulation units (cod. 2252)
- 5 - Thermostatic pump circulation units (cod. 2251)

